

24" 2.0 Cubic Foot Electric Freestanding Range

HCR2250AES



Product image does not represent final photography.

Signature Features

True European Convection

Includes a rear fan and a third 1,960-watt heating element to distribute hot air throughout the oven for faster, more even baking

Smooth Ceramic Glass Cooking Surface

Features an easy-to-clean surface that makes mealtime more effortless

Dual Element

Enable the use of variously sized cookware on one element

Halogen Interior Lighting

Distributes bright, clear light throughout the oven

Available

Unit Specifications

Width	23.6"
Depth	25"
Height	35.4"
Weight	115 lbs.
UPC	688057374369

More Easy-To-Use Features

- Stainless Steel Sides
- 1,360W Hidden Bake Element
- 2,450W Broil Element
- 4 Radiant Element Ceramic Glass Cooktop
- One 2,200W Dual Ring, One 1,800W and Two 1,200W Elements
- Electronic Control
- Digital Clock with Automatic Cut-Off Timer
- Removable Interior Glass Door
- Seven Heating Methods:
Defrost, Convection Bake,
Convection Broil, High Broil, Low Broil,
Pizza, Bake
- Two Racks with 5 Rack Positions
- Broil Pan Set Included
- Back Guard Included

Warranty

- 2 Year Warranty (Parts and Labor)

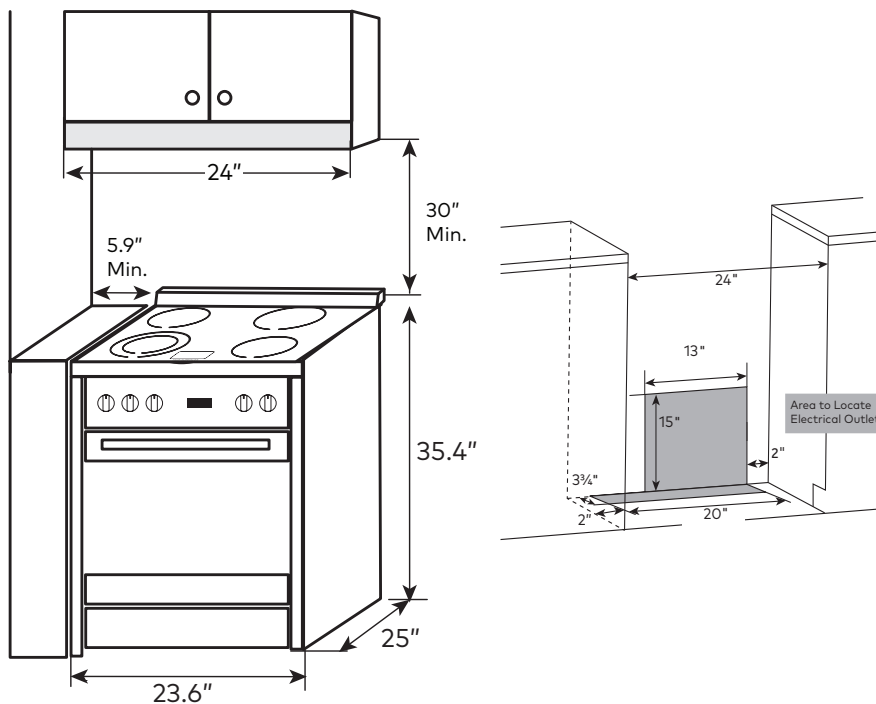
Available Finishes



Stainless Steel

Overall Packaging Details	
Packaging	lb./in.
Gross Weight	133 lb.
Dimensions	W 25"
	D 27 3/8"
	H 36 3/4"
Power Requirements	
Electrical Rating	208/240V, 60Hz

Product Technical Illustration



* Leveling legs included in accessory package inside a separate box.

General Appliance Information

Please read all installation details and instructions before use.

Contact Us

For questions regarding this product please refer to our website at haieramerica.com or call our customer service center at 877-337-3639.

