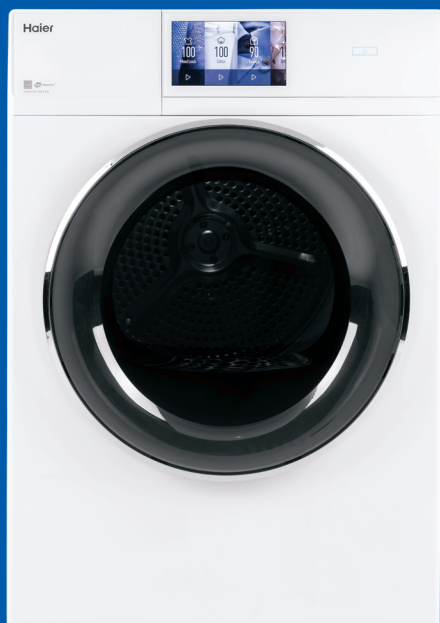


4.3 cu. ft. Capacity 24" Frontload Electric Dryer with Stainless Steel Basket QFD15ESSNWW



Unit Specifications

Width	23-7/16"
Depth	25-1/4"
Height	33-1/4"
Weight	103 lbs

More Easy-To-Use Features

- Reversible door
- Extended tumble
- ENERGY STAR® qualified

Available Finishes



White
QFD15ESSNWW

Signature Features

Compact 24" Width with large Capacity

Unique size for installation flexibility and large capacity to do laundry less often.

Touch-sensitive controls

Simple, intuitive, LCD display with touchscreen technology makes operating this dryer a breeze.

Hundreds of cycle selection combinations

With hundreds of available cycle modifications, this über-functional dryer has all your laundry needs covered.

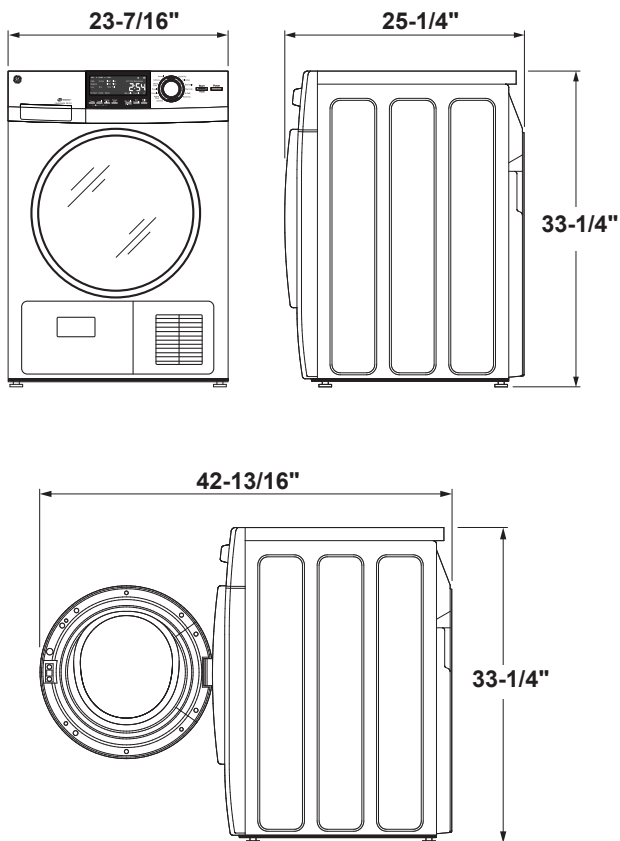
Built-in WiFi

Features an updateable operating system and enables you to monitor and control your laundry from anywhere.

Power Requirements

Electrical Rating	208/240V; 2800W; 30A; 60Hz
-------------------	----------------------------

Product Technical Illustration



ADA COMPLIANCE: 4" ADA riser and drip pan for 24" frontload model: GAF140SSNWW (sold separately)

General Appliance Information

Please read all installation details and instructions before use.

Contact Us

For questions regarding this product please refer to our website at haierappliances.com or call our customer service center at 877-337-3639.

