

30" Smart Slide-In Gas Range with Convection

QGSS740RNSS



Available
May 2020

Unit Specifications

Width	29 7/8"
Depth	29 1/4"
Height	36 1/4"
Weight	191 lbs.
UPC	084691845294

Warranty

— 1 Year Warranty (Parts and Labor)

Available Finishes



Stainless Steel
QGSS740RNSS



Black Stainless
QGSS740BNTS

Signature Features

WiFi Connect

Wherever you are, you've got cooking down. Because now you can control advanced features, such as a no preheat option, pizza mode and snack mode, all from the Smart HQ App.

Quick clean

Good with cooking but not with cleaning? No worries. This Haier range with Quick Clean steam-cleaning technology makes removing baked-on cooking spills fast and easy.

Oven cooking modes

Cooking made easy - there's an app for that! This foodie-friendly app helps you select the right cooking mode for your favorite treats, like baked goods, frozen pizza and frozen snacks.

Probe mode

A pinch of technology makes everything taste better. Probe Mode ensures that your food is cooked at precisely the right temperature for optimum cooking results.

Backlit color-changing oven knob

In the city, streetlights show the way. On your oven, backlit color-changing knobs do the same. LED knob lights illuminate to show which cooking mode has been turned on.

Continuous, edge-to-edge cooktop

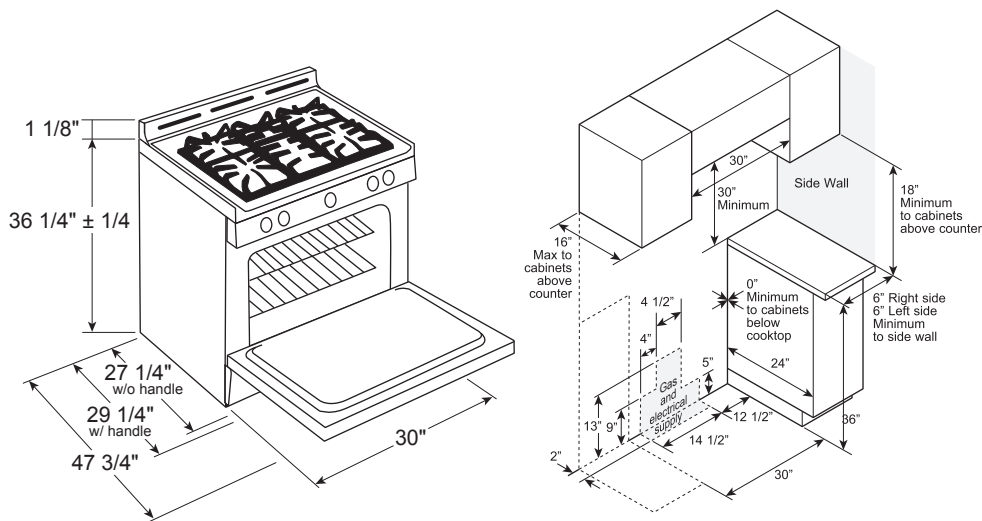
Go with your culinary flow. Continuous grates allow for easy movement of cookware, while providing even heat distribution with better heat retention.

Simmer burner

Find the right balance in life and in cooking. Low heat delivers gentle, even cooking results for your most delicate foods.

Overall Packaging Details	
Packaging	lb./in.
Gross Weight	214 lbs.
Dimensions	W 32.7"
	D 31.5"
	H 44.5"
Power Requirements	
Electrical Rating	120V; 60Hz; 5A

Product Technical Illustration



General Appliance Information

Please read all installation details and instructions before use.

Contact Us

For questions regarding this product please refer to our website at haierappliances.com or call our customer service center at 877-337-3639.